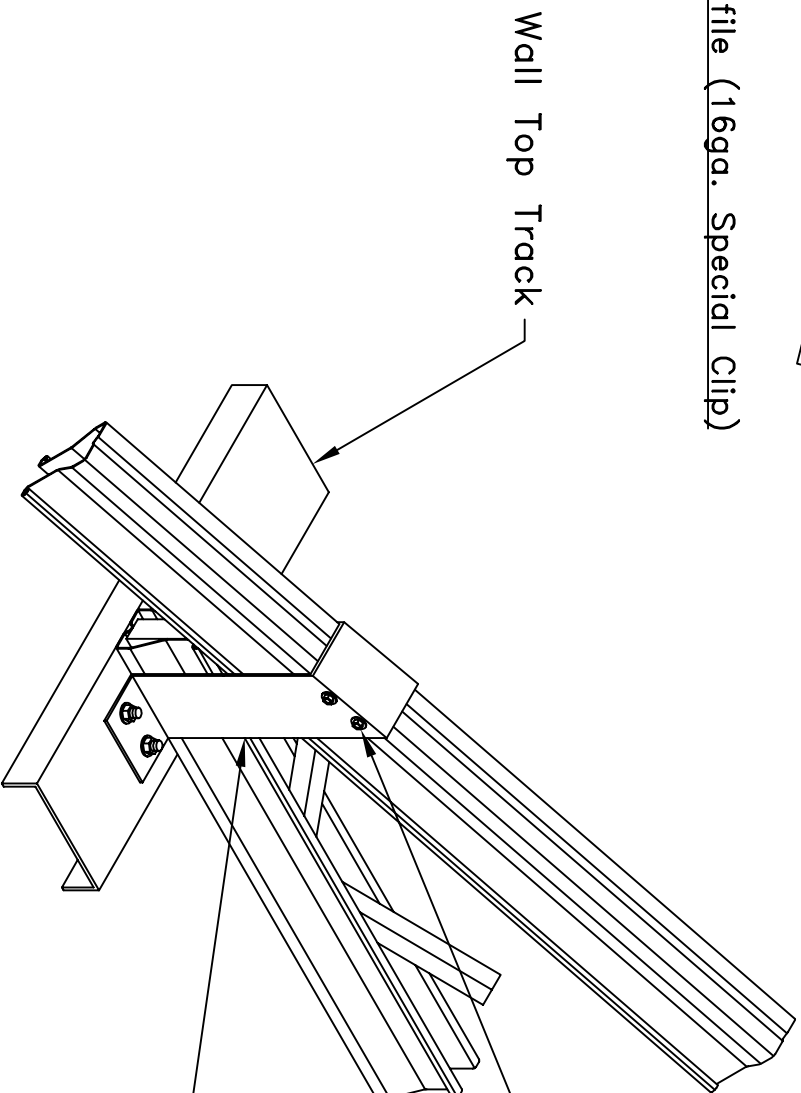


Flat Profile (16ga. Special Clip)



(2) #10SDS through face of TrussSteel top chord (Each side Typ.)

(1) Specialty Clip design

Special Truss to Bearing Clip Connection

Scale: N.T.S

Drawing #

SCI

Drawing Name

Bruce Henion Specialty Truss Connection

INTER MOUNTAIN STEEL, INC.

51460 RUSSELL ROAD

P.O. BOX 3329

LA PINE, OR 97739

PHONE: 541-536-2204

FAX: 541-536-5991

www.intermountsteel.com

